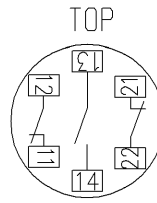
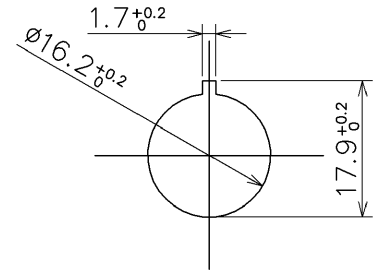


Operation type : Push lock  
 Reset : Pull reset or Turn reset.  
 Contact arrangement (□□) : 1b (01) , 2b (02) ,  
 1a-1b (11) , 1a-2b (12)  
 Bottom color (\*) : Red (R) , Bright red (RH)



1b: Terminals on the left.  
 2b: Terminals on the right and left.  
 1a: Terminals on the center.

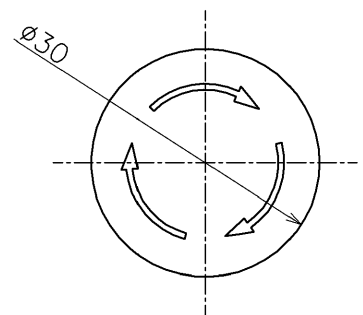
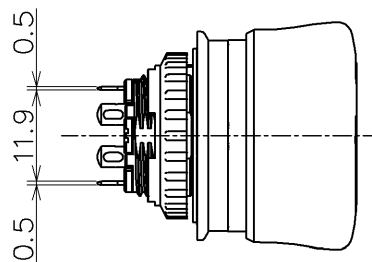
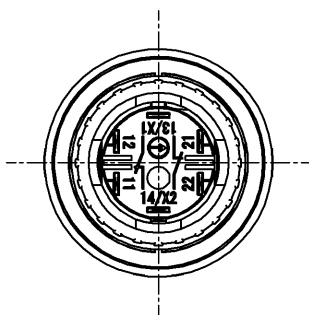
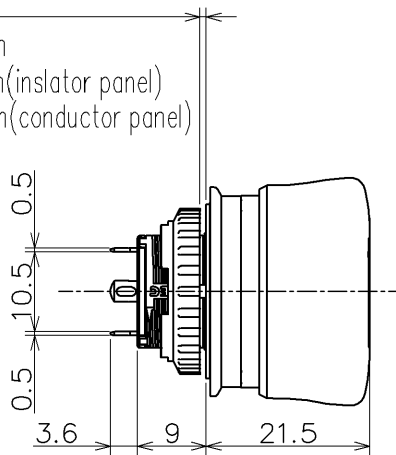
Contact Configuration  
 (Bottom View)



Panel Cut-Out

Panel Thickness

1b,2b : 0.8 to 3.7mm  
 1a1b, 1a2b : 0.8 to 3.7mm (insulator panel)  
 : 0.8 to 3.0mm (conductor panel)



				Product Name: XA SERIES EMERGENCY STOP SWITCH
				Type Number: XA1E-BV3SG□□*
Approved by	T.Iwami	2023/12/01	Dim.: mm	Outside View
Checked by	Y.Kawase	2023/12/01	Drawing No.	
Drawn by	T.Matsumoto	2023/12/01	MA4-H02199	